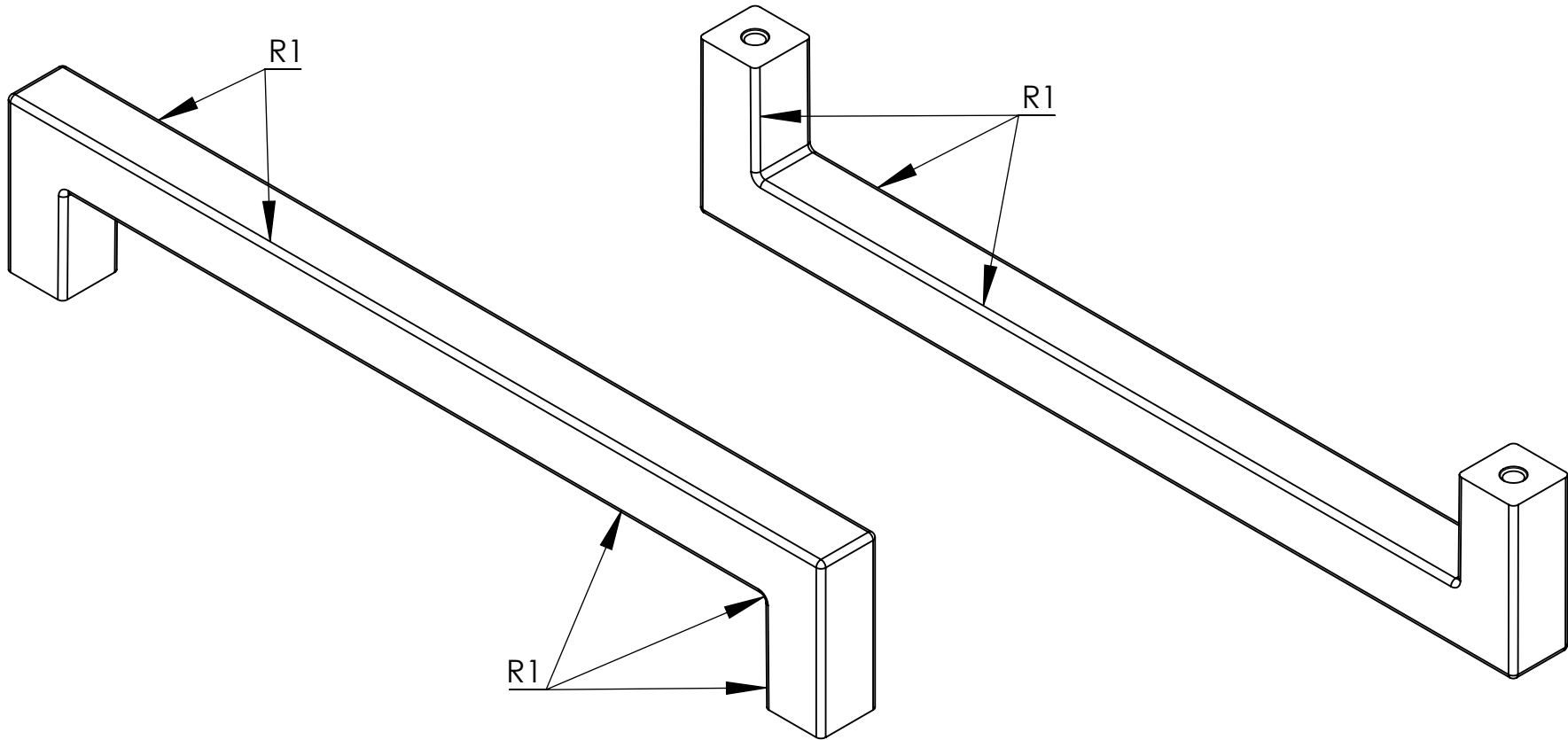


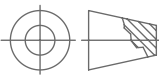

Part name: SQUARE 12	Projection: 	Sheet format: A4	Tolerance unless otherwise specified DS/ISO 2768-1M						
Customer:	Drawn by: IKR date 23-11-2017	Scale: 1:1	Linear dimensions:						
Part no.: 509560xxx	Page 1 of 3		0-3	3-6	6-30	30-120	120-400	400-1000	1000-2000
Material: Aluminium	Weight: grams		± 0.1	± 0.1	± 0.2	± 0.3	± 0.5	± 0.8	± 1.2
			Angle		Radius				
			± 0.5°		± 5%				

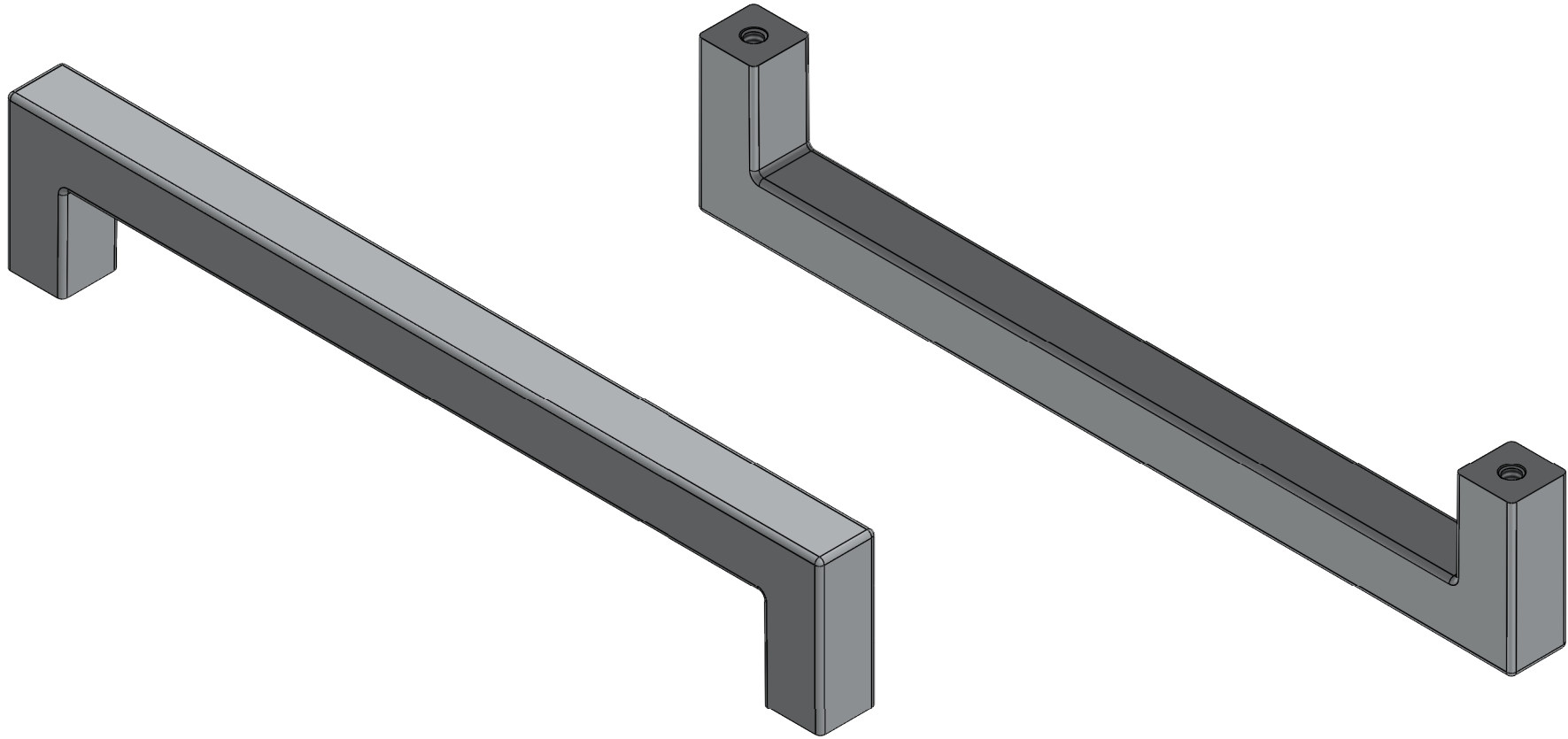
PART NO.	C/C	L	
509560160	160	172	
509560224	224	236	
Rev.:	Date:	Name:	Description:
A	23-11-2017	IKR	Initial release

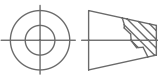

furnipart®

Delta 2 Phone: +45 87 64 35 00
DK-8382 Hinnerup Fax: +45 87 64 35 01



Part name: SQUARE 12	Projection: 	Sheet format: A4	Tolerance unless otherwise specified DS/ISO 2768-1M																			
Customer:	Drawn by: IKR date 23-11-2017	Scale: 1:1	<table border="1"> <tr> <td>Linear dimensions:</td> <td>0-3</td> <td>3-6</td> <td>6-30</td> <td>30-120</td> <td>120-400</td> <td>400-1000</td> <td>1000-2000</td> </tr> <tr> <td></td> <td>± 0.1</td> <td>± 0.1</td> <td>± 0.2</td> <td>± 0.3</td> <td>± 0.5</td> <td>± 0.8</td> <td>± 1.2</td> </tr> </table>				Linear dimensions:	0-3	3-6	6-30	30-120	120-400	400-1000	1000-2000		± 0.1	± 0.1	± 0.2	± 0.3	± 0.5	± 0.8	± 1.2
Linear dimensions:	0-3	3-6	6-30	30-120	120-400	400-1000	1000-2000															
	± 0.1	± 0.1	± 0.2	± 0.3	± 0.5	± 0.8	± 1.2															
Part no.: 509560xxx	Material: Aluminium	Weight: grams	<table border="1"> <tr> <td>Angle</td> <td>Radius</td> <td></td> <td></td> </tr> <tr> <td>± 0.5°</td> <td>± 5%</td> <td></td> <td></td> </tr> </table>				Angle	Radius			± 0.5°	± 5%										
Angle	Radius																					
± 0.5°	± 5%																					
Page 2 of 3																						
Rev.:	Date:					Name:	Description:	Delta 2 DK-8382 Hinnerup	Phone: +45 87 64 35 00 Fax: +45 87 64 35 01													
A	23-11-2017	IKR	Initial release																			



Part name: SQUARE 12		Projection: 	Sheet format: A4	Tolerance unless otherwise specified DS/ISO 2768-1M																					
Customer:		Drawn by: IKR date 23-11-2017	Scale: 1:1	<table border="1"> <tr> <td>Linear dimensions:</td> <td>0-3</td> <td>3-6</td> <td>6-30</td> <td>30-120</td> <td>120-400</td> <td>400-1000</td> <td>1000-2000</td> </tr> <tr> <td></td> <td>± 0.1</td> <td>± 0.1</td> <td>± 0.2</td> <td>± 0.3</td> <td>± 0.5</td> <td>± 0.8</td> <td>± 1.2</td> </tr> </table>					Linear dimensions:	0-3	3-6	6-30	30-120	120-400	400-1000	1000-2000		± 0.1	± 0.1	± 0.2	± 0.3	± 0.5	± 0.8	± 1.2	
Linear dimensions:	0-3	3-6	6-30	30-120	120-400	400-1000	1000-2000																		
	± 0.1	± 0.1	± 0.2	± 0.3	± 0.5	± 0.8	± 1.2																		
Part no.: 509560xxx		Page 3 of 3		<table border="1"> <tr> <td>Angle</td> <td>Radius</td> <td></td> <td></td> </tr> <tr> <td>± 0.5°</td> <td>± 5%</td> <td></td> <td></td> </tr> </table>					Angle	Radius			± 0.5°	± 5%											
Angle	Radius																								
± 0.5°	± 5%																								
Material: Aluminium		Weight: grams																							
<table border="1"> <tr> <td>Rev.:</td> <td>Date:</td> <td>Name:</td> <td>Description:</td> </tr> <tr> <td>A</td> <td>23-11-2017</td> <td>IKR</td> <td>Initial release</td> </tr> <tr> <td> </td> <td> </td> <td> </td> <td> </td> </tr> <tr> <td> </td> <td> </td> <td> </td> <td> </td> </tr> </table>		Rev.:	Date:						Name:	Description:	A	23-11-2017	IKR	Initial release									<table border="1"> <tr> <td>Delta 2</td> <td>Phone:</td> <td>+45 87 64 35 00</td> </tr> <tr> <td>DK-8382 Hinnerup</td> <td>Fax:</td> <td>+45 87 64 35 01</td> </tr> </table>		Delta 2
Rev.:	Date:	Name:	Description:																						
A	23-11-2017	IKR	Initial release																						
Delta 2	Phone:	+45 87 64 35 00																							
DK-8382 Hinnerup	Fax:	+45 87 64 35 01																							